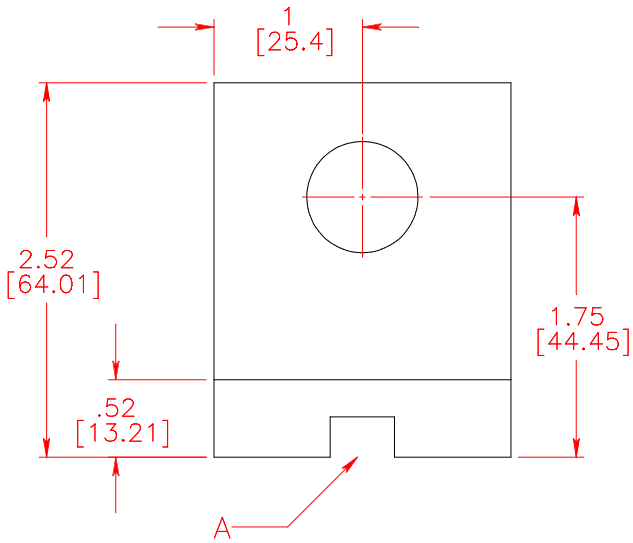
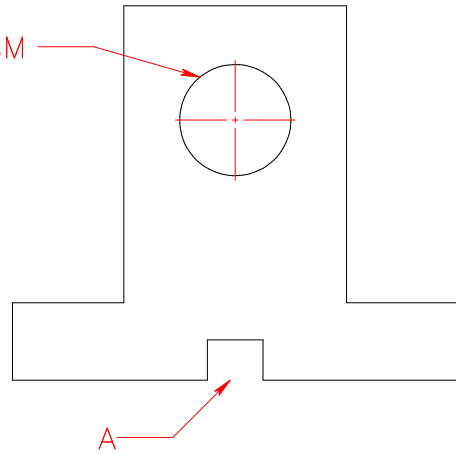


10U Universal Mount
 Material: 6061 Aluminum
 Finish: Polish #4, High Phosphor Nickel Plated



[5] 1/2 NPSM



A - wire exit path, 2 axis

				Name	Date	Title (P10Ux) Mounting Bracket #10U	
			Created By	LC	6/12/18		
			Checked By				
			Scale	0.75 : 1.00		Drawing Number 10U-6061	
			Onyx Industries 2347 Commerce Drive Hastings MN 55033 USA Phone +1 (651) 204-0797				
1	Mtg Holes, 5/16 ----> 1/4 free	9/5/18	LC	www.onyx-industries.com			
No	Change	Date	Init				